

MOTOR (IEC STYLE)

ELECTRICAL:

Amps - see table
 250 - 1100 volts
 Designed for delta and WYE wiring configurations
 For use with listed crimp lugs

STANDARDS:

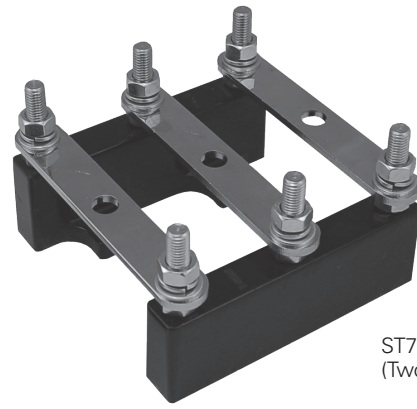
UL 1059 recognized file no. XCFR2.E62806
 CSA certified file no. LR19766 (CSA C22-2 No. 158)
 CE compliant - UL investigated to IEC 60947-7-1, file no. XCHG2.E243117, IEC 60947-7-1
 UL investigated to SANS 1804-2
 RoHS compliant (All)

WEBSITE RESOURCES:

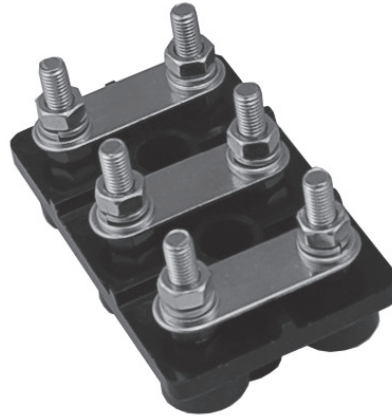
Detailed product data sheets

- Material information
- Termination & mounting specifications
- Multiple wire rating specifications
- Detailed SCCR information

Dimensional drawings & 3D CAD files
 Accessories available



ST750M12
(Two Piece Style)



ST750M8
(One Piece Style)

TERMINAL BLOCKS

CATALOG #	STUD SIZE	STYLE	AMPS		VOLTAGE			WIRE RANGE	OVERALL DIMENSIONS (L x W x H) MM
			cURus	IEC	cURus	IEC	Sans 1804		
ST755M4	M4	One Piece	38	50	300	630	250	#8 - #18 AWG	55 x 33 x 43
ST750M4	M4	One Piece	35	50	1000	1000	1100	#8 - #18 AWG	63 x 37 x 42
ST755M5	M5	One Piece	50	50	600	800	660	#8 - #16 AWG	68 x 40 x 45
ST750M6	M6	One Piece	101	121	1000	1000	1100	#2 - #14 AWG	85 x 50 x 62
ST750M8	M8	One Piece	160	185	1000	1000	1100	2/0 - #12 AWG	112 x 69 x 76
ST755M10	M10	One Piece	185	217	1000	1000	1100	3/0 - #8 AWG	140 x 86 x 91
ST755M12	M12	One Piece	242	271	1000	1000	1100	250 kcmil - #8 AWG	170 x 110 x 97
ST750M12	M12	Two Piece	315	374	1000	1000	1100	400 kcmil - #8 AWG	179 x 167 x 107
ST750M16	M16	Two Piece	560	520	1000	1000	1100	(2) 300 kcmil - (2) #2 AWG	201 x 191 x 133

All blocks include links and hardware assembled